

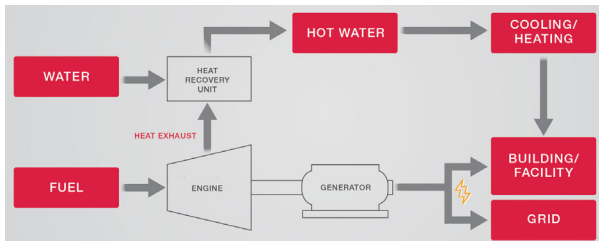


CP10WN



Using natural gas or propane, the CP10WN's high-efficiency generator provides 10kW of electrical power. The engine heat is captured and heats water at a rated temperature of 158°F for immediate use or storage in your facility. Excess electricity production may be sold back onto the grid in certain states, creating a credit on your electric bill.

CHP Basic Flow



Model		CP10WN		
		CP10WN-SN (B)	CP10WN-SPB	
Power	Output	Rated Output	10 kW	
		Voltage	240/120 V, 60Hz (208V, 277V)	
		Phases/Wires	Single phase, 3 wire	
		Modulation	0.3 to 10 kW with optional CT/Transducer kit (*1)	
Fuel	Gas type		Natural gas	Propane gas
	Pressure	Standard	8 in WC (2kPa)	11 in WC (2.8kPa)
		Range	4 ~ 10 in WC (1 ~ 2.5kPa)	8 ~ 13 in WC (2 ~ 3.3kPa)
	Consumption (LHV)		107,500 BTU (31.5kW)	112,800 BTU (33.1kW)
			1.08 therms/hr	1.34 Gallon (*3)
	Consumption (HHV) (*3, *4)		119,100 BTU (34.9 kW)	122,800 BTU (36.0 kW)
		1.19 therms/hr	1.34 Gallon (*3)	
Heat output	Rated recovered heat		57,300 BTU/h	65,200 BTU/h
	Rated hot water temp.	Inlet	149 F (65 C)	
		Outlet	158 F (70 C)	
	Rated Hot water flow rate		12.7 GPM (48.2 L/min)	
Maximum hot water temp. (Outlet)		172 F (78 C)		
Input power	Voltage, Frequency		240V, 60Hz	
	Starting current		21.7 A	
	Power consumption	Radiator fan stop	0.39 kW	
		Radiator fan run	0.71 kW	
Gross Efficiency (LHV)	Overall efficiency		85%	88%
	Electrical generation efficiency		31.5%	30%
	Exhaust heat recovery ratio		53.5%	58%
Sound level	Radiator fan stopped		54 dB (A)	
	Radiator fan operating		56 dB (A)	
Dimensions	Width		57.9 in (1,470 mm)	
	Depth		31.5 in (800 mm)	
	Height		70.5 in (1,790 mm)	
	Net weight		1,653 lb (750 kg)	1,664 lb (755 kg)
Maintenance Interval			10,000 hrs	
Standard Warranty			2 Years; Unlimited Hours	
YES Product Protection	10 Years / 30,000 hrs		Optional	
	10 Years / 60,000 hrs		Optional	
	15 Years / 90,000 hrs		Optional	
Emissions & Certifications			EPA Certified UL2200 Certified CSAC22.2 No 14 Certified CSAC22.2 No 100 Certified UL1741/IEEE1547 Certified (*2)	

*1: The minimum modulation amount is dependent on the CT and Transducer specifications.

*2: External inverter models

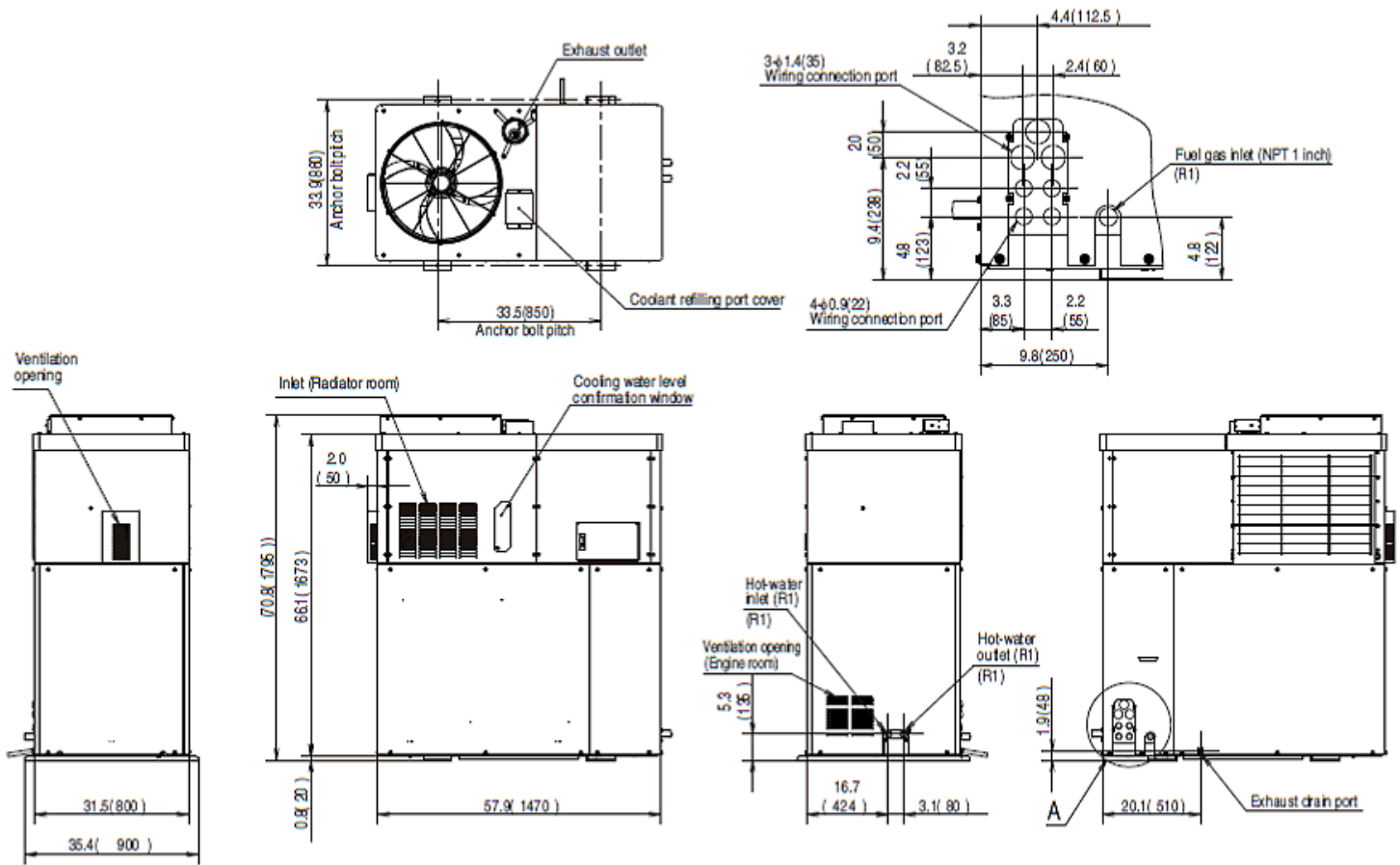
*3: Propane gas calculations for fuel consumption are based on converting LHV to HHV: LHV=84,250 BTU/Gallon, HHV=91,420 BTU/Gallon

*4: Natural gas calculations for fuel consumption are based on converting LHV to HHV: LHV= 983 BTU/scf, HHV = 1,089 BTU/scf

NOTE: Due to YANMAR's ongoing commitment to quality, specifications, ratings and dimensions subject to change without notice. Improper installation, adjustment, alteration, service or maintenance can cause property damage or personal injury. Installation and service must be in accordance with current specifications, ratings and dimensions and be performed by a qualified installer and servicing agency.



CP10WN



Unit:inch(mm)

NOTE: Due to YANMAR's ongoing commitment to quality, specifications, ratings and dimensions subject to change without notice. Improper installation, adjustment, alteration, service or maintenance can cause property damage or personal injury. Installation and service must be in accordance with current specifications, ratings and dimensions and be performed by a qualified installer and servicing agency.